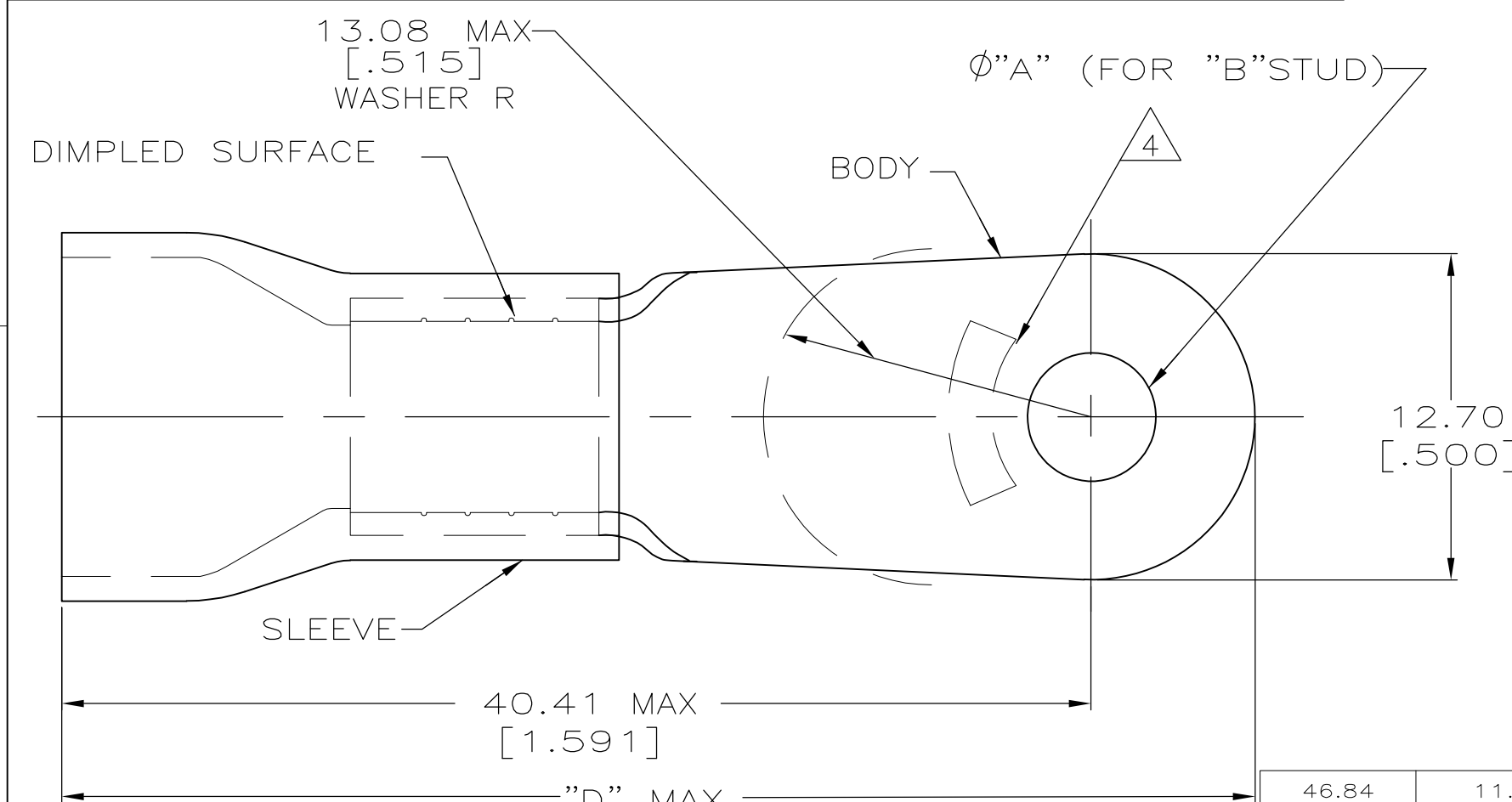


THIS DRAWING IS UNPUBLISHED. RELEASED FOR PUBLICATION
 © COPYRIGHT - By - ALL RIGHTS RESERVED.

LOC	DIST	REVISIONS					
G	14	P	LTR	DESCRIPTION	DATE	DWN	APVD
			AB2	REVISED PER ECO-11-004820	11MAR11	RK	HMR



AMP WIRE RANGE	RU FILE E13288	LR7189 Certified
6 AWG STRANDED	6 AWG STRANDED	6 AWG STRANDED

- 1 STAMP AMP 6* LOCATE APPROX AS SHOWN
- 2 TONGUE MATERIAL THK 1.14±0.08[.045±.003]
- 3 SEE TABLE FOR WIRE INSULATION DIA MAX
- 4 TAPE ITEMS ARE ON 30.48[1.200] CENTERS
- 5 OBSOLETE AND REPLACED BY 52042-5
- 6 OBSOLETE

"D"	WIRE INSULATION DIA	"B"	"A"	QTY	PACKAGE TYPE	PART NO
46.84 [1.844]	11.43 [.450]	1/4	6.73±0.13 [.265±.005]	500	ON TAPE	1-52042-4
				100	LOOSE PC	1-52042-3
46.84 [1.844]	11.07 [.436]	#10	5.00±0.08 [.197±.003]	500	ON TAPE	1-52042-0
				100	LOOSE PC, BOX SPL	9-52042-5
47.47 [1.869]	9.14 [.360]	1/4	6.73±0.13 [.265±.005]	20		8-52042-5
						52042-9
46.84 [1.844]	11.07 [.436]	#8	4.34±0.08 [.171±.003]	500	ON TAPE	52042-7
47.47 [1.869]	9.14 [.360]	#10	5.00±0.08 [.197±.003]			52042-6
46.84 [1.844]	11.07 [.436]	#10	5.00±0.08 [.197±.003]			52042-5
47.47 [1.869]	9.14 [.360]	1/4	6.73±0.13 [.265±.005]	100	LOOSE PC	52042-4
		#8	4.34±0.08 [.171±.003]			52042-3
46.84 [1.844]	11.07 [.436]	1/4	6.73±0.13 [.265±.005]			52042-2
		#8	4.34±0.08 [.171±.003]			52042-1
						52042

AMP INCORPORATED
CUSTOMER SERVICE SYSTEMS

FOR ADDITIONAL PRODUCT INFORMATION OR COPIES OF DRAWINGS AND TECHNICAL DOCUMENTS: PRODUCT INFORMATION CENTER 1-800-522-6752

FOR APPLICATION TOOLING ASSISTANCE CENTER: TOOLING ASSISTANCE CENTER 1-800-722-1111

FOR ORDER ENTRY: 1-800-526-5142

MAX RECOMMENDED OPERATING TEMPERATURE: 105° C

VOLTAGE RATING: 600 V MAX

CIRCULAR MIL AREA: 10.54-16.77mm² [20,800-33,100] STRANDED

THIS DRAWING IS A CONTROLLED DOCUMENT FOR AMP INCORPORATED. IT IS SUBJECT TO CHANGE AND THE CONTROLLING ENGINEERING ORGANIZATION SHOULD BE CONTACTED FOR THE LATEST REVISION.

THIS DRAWING IS A CONTROLLED DOCUMENT.

DIMENSIONS: mm [INCHES]

TOLERANCES UNLESS OTHERWISE SPECIFIED:

0 PLC	± -
1 PLC	± -
2 PLC	± 0.20[.008]
3 PLC	± -
4 PLC	± -
ANGLES	± -

MATERIAL: COPPER PER ASTM B-152 PVC, COLOR: BLUE

FINISH: TIN PLATE PER ASTM B-545

STE TE Connectivity

TERMINAL, RING TONGUE, PLASTIC-GRIP,™ WIRE SIZE: 6 AWG

114-2161

A3 00779 C-52042

SCALE: 4:1 SHEET: 1 OF 1 REV: AB2